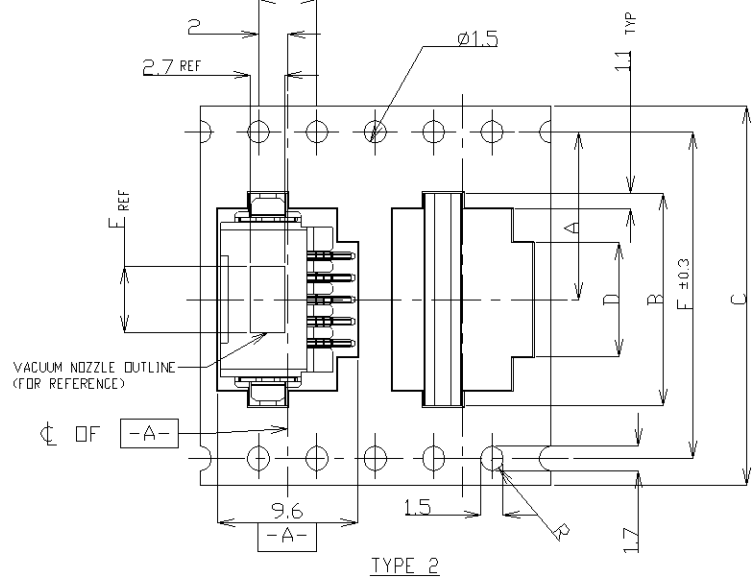
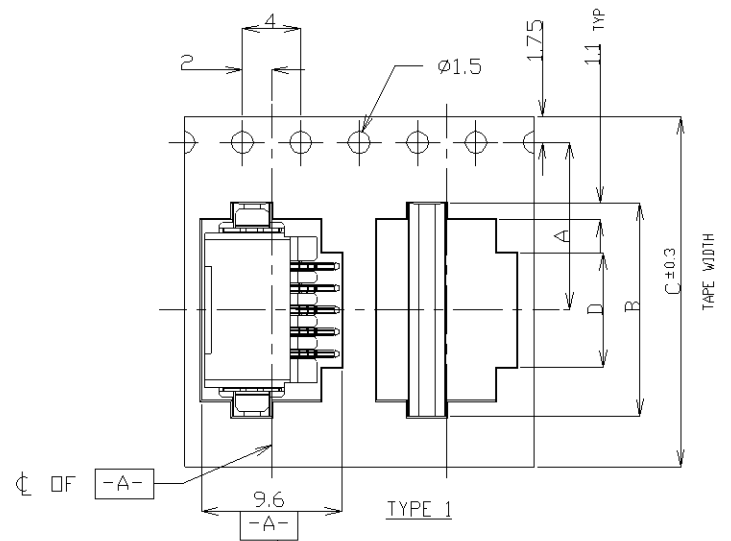
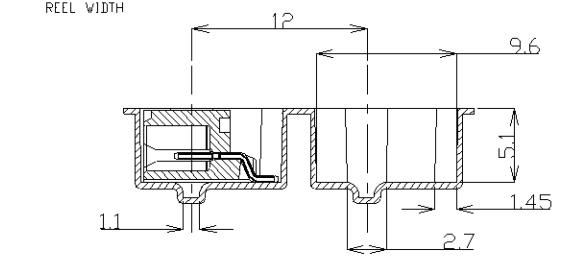
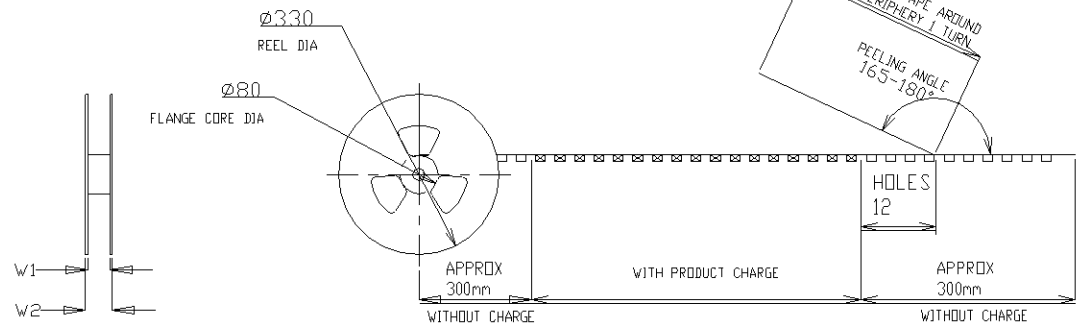
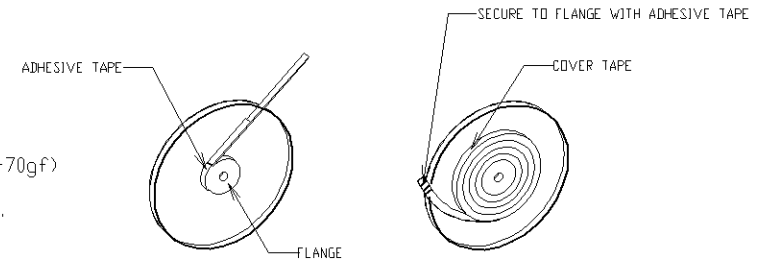


LOC	DIST	REVISIONS					
ES	00	P	LTR	DESCRIPTION	DATE	DWN	APVD
		C		REVISED ECR-08-009631	23APR08	C.Z	S.Y



NOTE:
 1. PEELING STRENGTH: 0.20-0.69N (20-70gf)
 PEELING ANGLE: 165-180°
 PEELING SPEED: 300mm/MINUTE.



TOLERANCES UNLESS OTHERWISE SPECIFIED:

10 >	: ±0.2
30 >, * >10	: ±0.25
100 >, * >30	: ±0.3
ANGLE	: ±3°

THIS DRAWING IS A CONTROLLED DOCUMENT.		DWN	31JAN03	Tyco Electronics Corporation	
		CHK	31JAN03	Shanghai, P.R.China, 200333	
		APVD	31JAN03	NAME	
		T.SASAKI		AMP Mini CT Connector 1.5mm PITCH	
		PRODUCT SPEC		SINGLE ROW POST HDR ASS'Y (H)	
		108-60018		SMT TYPE WITH BOSS, EMBOSS TAPE PACKAGED	
		APPLICATION SPEC		RESTRICTED TO	
		114-5223		SIZE	
		WEIGHT		CAGE CODE	
		CUSTOMER DRAWING		A3 00779	
		SCALE		DRAWING NO	
		NTS		C-292228	
		SHEET		1 OF 4	
		REV		C	

THIS DRAWING IS UNPUBLISHED.

RELEASED FOR PUBLICATION

COPYRIGHT BY TYCO ELECTRONICS CORPORATION. ALL RIGHTS RESERVED.

LOC ES DIST 00

REVISIONS

P	LTR	DESCRIPTION	DATE	DWN	APVD
-	-	SEE SHEET 1	-	-	-

TAPE TYPE	W2	W1	F	E	D	C	B	A	QTY/REEL	POS	COLOR	DN TAPE P/N	
													DIMENSIONS
TYPE 2	61.5	57.5	6.2	52.4	30.5	56	37.1	±0.15 26.2	700	20	BLACK	7-292228-0	
	61.5	57.5	6.2	52.4	29.0	56	35.6		700	19		6-292228-9	
	49.5	45.5	6.2	40.4	27.5	44	34.1		700	18		6-292228-8	
	49.5	45.5	6.2	40.4	26.0	44	32.6		700	17		6-292228-7	
	49.5	45.5	6.2	40.4	24.5	44	31.1		700	16		6-292228-6	
	49.5	45.5	6.2	40.4	23.0	44	29.6		700	15		6-292228-5	
	49.5	45.5	6.2	40.4	21.5	44	28.1		700	14		6-292228-4	
	49.5	45.5	6.2	40.4	20.0	44	26.6		700	13		6-292228-3	
	49.5	45.5	6.2	40.4	18.5	44	25.1		700	12		6-292228-2	
	49.5	45.5	6.2	40.4	17.0	44	23.6		700	11		6-292228-1	
	37.5	33.5	6.2	28.4	15.5	32	22.1		14.2	700		10	6-292228-0
	37.5	33.5	6.2	28.4	14.0	32	20.6		14.2	700		9	5-292228-9
	37.5	33.5	6.2	28.4	12.5	32	19.1		14.2	700		8	5-292228-8
	37.5	33.5	6.2	28.4	11.0	32	17.6		14.2	700		7	5-292228-7
TYPE 1	29.5	25.5	6.2	-	9.5	24	16.1	11.5	700	6		5-292228-6	
	29.5	25.5	6.2	-	8.0	24	14.6	11.5	700	5		5-292228-5	
	29.5	25.5	6.2	-	6.5	24	13.1	11.5	700	4		5-292228-4	
	29.5	25.5	4.7	-	5.0	24	11.6	11.5	700	3		5-292228-3	
	29.5	25.5	2.8	-	3.5	24	10.1	11.5	700	2		5-292228-2	

TAPE TYPE	W2	W1	F	E	D	C	B	A	QTY/REEL	POS	COLOR	DN TAPE P/N	
													DIMENSIONS
TYPE 2	61.5	57.5	6.2	52.4	30.5	56	37.1	±0.15 26.2	700	20	BEIGE	2-292228-0	
	61.5	57.5	6.2	52.4	29.0	56	35.6		700	19		1-292228-9	
	49.5	45.5	6.2	40.4	27.5	44	34.1		700	18		1-292228-8	
	49.5	45.5	6.2	40.4	26.0	44	32.6		700	17		1-292228-7	
	49.5	45.5	6.2	40.4	24.5	44	31.1		700	16		1-292228-6	
	49.5	45.5	6.2	40.4	23.0	44	29.6		700	15		1-292228-5	
	49.5	45.5	6.2	40.4	21.5	44	28.1		700	14		1-292228-4	
	49.5	45.5	6.2	40.4	20.0	44	26.6		700	13		1-292228-3	
	49.5	45.5	6.2	40.4	18.5	44	25.1		700	12		1-292228-2	
	49.5	45.5	6.2	40.4	17.0	44	23.6		700	11		1-292228-1	
	37.5	33.5	6.2	28.4	15.5	32	22.1		14.2	700		10	1-292228-0
	37.5	33.5	6.2	28.4	14.0	32	20.6		14.2	700		9	292228-9
	37.5	33.5	6.2	28.4	12.5	32	19.1		14.2	700		8	292228-8
	37.5	33.5	6.2	28.4	11.0	32	17.6		14.2	700		7	292228-7
TYPE 1	29.5	25.5	6.2	-	9.5	24	16.1	11.5	700	6		292228-6	
	29.5	25.5	6.2	-	8.0	24	14.6	11.5	700	5		292228-5	
	29.5	25.5	6.2	-	6.5	24	13.1	11.5	700	4		292228-4	
	29.5	25.5	4.7	-	5.0	24	11.6	11.5	700	3		292228-3	
	29.5	25.5	2.8	-	3.5	24	10.1	11.5	700	2		292228-2	

THIS DRAWING IS A CONTROLLED DOCUMENT.		DWN S.XU 31JAN03	Tyco Electronics Tyco Electronics Corporation Shanghai, P.R.China, 200333	
DIMENSIONS: mm		CHK S.YAO 31JAN03	AMP Mini CT Connector 1.5mm PITCH SINGLE ROW POST HDR ASS'Y (H) SMT TYPE WITH BOSS, EMBOSS TAPE PACKAGED	
		APVD T.SASAKI 31JAN03	NAME	
MATERIAL		PRODUCT SPEC 108-60018	DRAWING NO	
FINISH		APPLICATION SPEC 114-5223	RESTRICTED TO	
		WEIGHT	SIZE A3	CAGE CODE 00779
		CUSTOMER DRAWING	SCALE NTS	SHEET 2 OF 4
			REV C	

THIS DRAWING IS UNPUBLISHED.

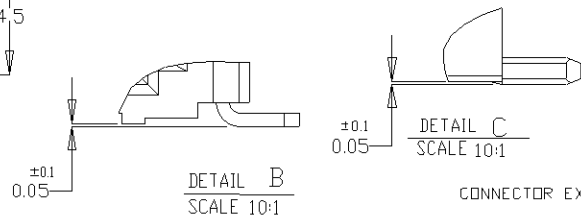
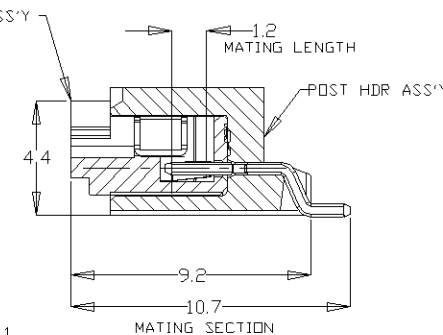
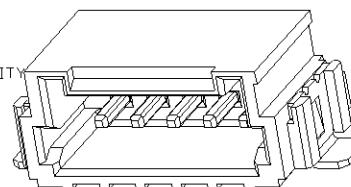
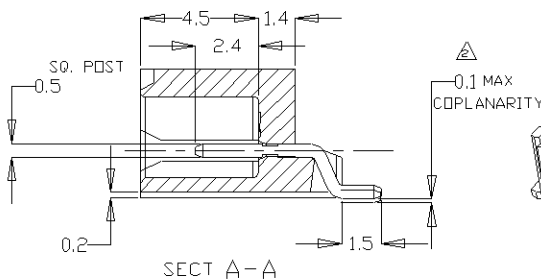
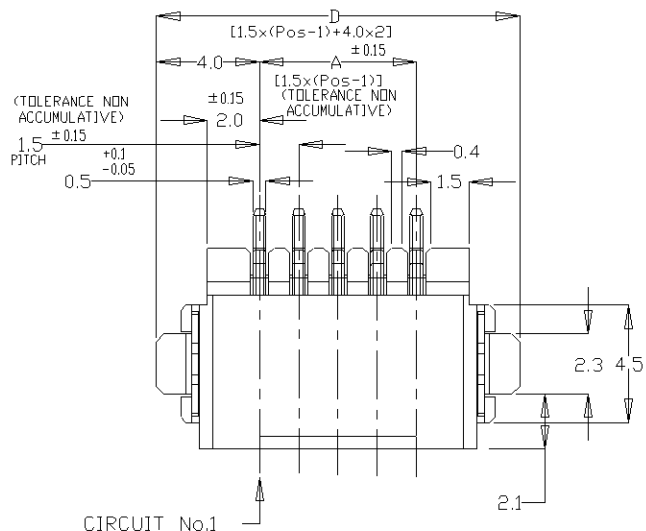
RELEASED FOR PUBLICATION

COPYRIGHT BY TYCO ELECTRONICS CORPORATION. ALL RIGHTS RESERVED.

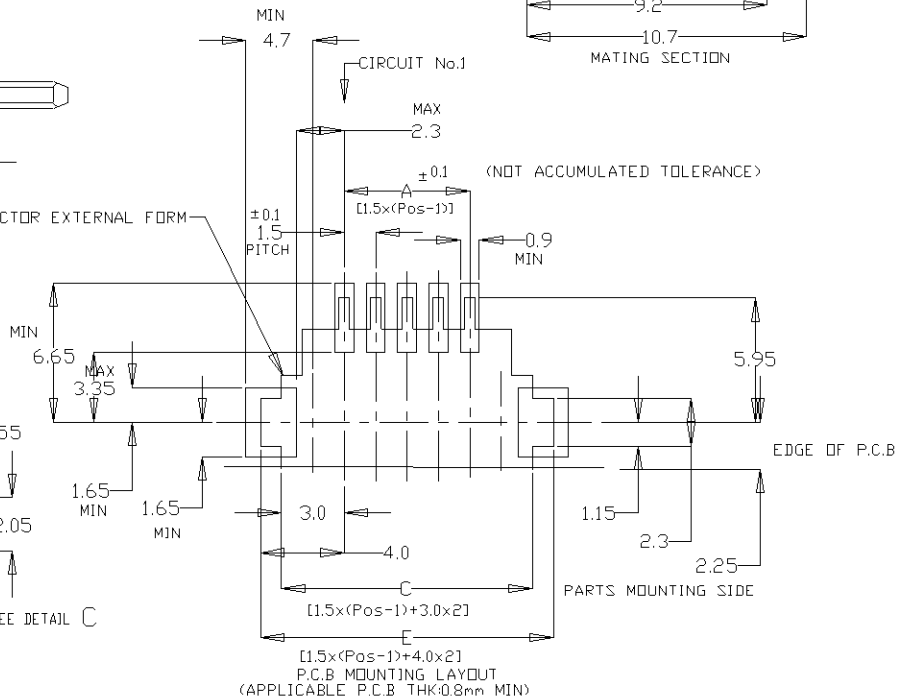
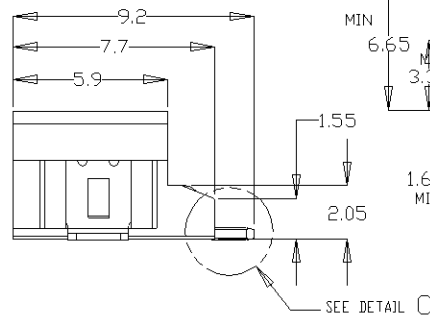
LOC ES DIST 00

REVISIONS

P	LTR	DESCRIPTION	DATE	DWN	APVD
-	-	SEE SHEET 1	-	-	-



CONNECTOR EXTERNAL FORM



C

B

A

NOTES:
 1. MATERIAL:
 HOUSING: 6T NYLON (HIGH HEAT-RESISTED NYLON) G.F. 30%
 UL94V-0, COLOR: BEIGE OR BLACK
 POST: TIN BRASS WIRE
 TO BE MEASURED WITH CONNECTOR PLACED ON HORIZONTAL DATUM SURFACE,
 FLOAT OF SOLDER TINE AND SOLDER PEG 0.1mm MAX.

THIS DRAWING IS A CONTROLLED DOCUMENT.

DIMENSIONS:	TOLERANCES UNLESS OTHERWISE SPECIFIED:
mm	
	0 PLC ±
	1 PLC ±
	2 PLC ±
	3 PLC ±
	4 PLC ±
	ANGLES ±
MATERIAL	FINISH
-	-

DWN S.XU	31JAN03
CHK S.YAO	31JAN03
APVD T.SASAKI	31JAN03
PRODUCT SPEC	
108-60018	
APPLICATION SPEC	
114-5223	
WEIGHT	
CUSTOMER DRAWING	

Tyco Electronics Corporation Shanghai, P.R.China, 200333	
AMP Mini CT Connector 1.5mm PITCH SINGLE ROW POST HDR ASS'Y (H) SMT TYPE WITH BOSS, EMBOSS TAPE PACKAGED	
SIZE A3	RESTRICTED TO
GAGE CODE 00779	
DRAWING NO C-292228	
SCALE NTS	SHEET 3 OF 4
REV C	

THIS DRAWING IS UNPUBLISHED.

RELEASED FOR PUBLICATION

LOC

DIST

REVISIONS

COPYRIGHT BY TYCO ELECTRONICS CORPORATION. ALL RIGHTS RESERVED.

ES 00

P	LTR	DESCRIPTION	DATE	DWN	APVD
-	-	SEE SHEET 1	-	-	-

1.078	36.5	34.5	30.6	28.5	20	7-292228-0	2-292228-0
1.033	35.0	33.0	29.1	27.0	19	6-292228-9	1-292228-9
0.988	33.5	31.5	27.6	25.5	18	6-292228-8	1-292228-8
0.942	32.0	30.0	26.1	24.0	17	6-292228-7	1-292228-7
0.896	30.5	28.5	24.6	22.5	16	6-292228-6	1-292228-6
0.850	29.0	27.0	23.1	21.0	15	6-292228-5	1-292228-5
0.804	27.5	25.5	21.6	19.5	14	6-292228-4	1-292228-4
0.759	26.0	24.0	20.1	18.0	13	6-292228-3	1-292228-3
0.713	24.5	22.5	18.6	16.5	12	6-292228-2	1-292228-2
0.667	23.0	21.0	17.1	15.0	11	6-292228-1	1-292228-1
0.621	21.5	19.5	15.6	13.5	10	6-292228-0	1-292228-0
0.576	20.0	18.0	14.1	12.0	9	5-292228-9	292228-9
0.530	18.5	16.5	12.6	10.5	8	5-292228-8	292228-8
0.484	17.0	15.0	11.1	9.0	7	5-292228-7	292228-7
0.438	15.5	13.5	9.6	7.5	6	5-292228-6	292228-6
0.392	14.0	12.0	8.1	6.0	5	5-292228-5	292228-5
0.347	12.5	10.5	6.6	4.5	4	5-292228-4	292228-4
0.301	11.0	9.0	5.1	3.0	3	5-292228-3	292228-3
0.255	9.5	7.5	3.6	1.5	2	5-292228-2	292228-2
WEIGHT (g)	E	C	B	A	Pos.	BLACK	BEIGE (NAT)
	DIMENSIONS					P/N	

THIS DRAWING IS A CONTROLLED DOCUMENT.		DWN S.XU 31JAN03	Tyco Electronics Corporation Shanghai, P.R.China, 200333	
DIMENSIONS: mm		CHK S.YAO 31JAN03	NAME AMP Mini CT Connector 1.5mm PITCH SINGLE ROW POST HDR ASS'Y (H)	
TOLERANCES UNLESS OTHERWISE SPECIFIED:		APVD T.SASAKI 31JAN03	PRODUCT SPEC 108-60018	
0 PLC ± 1 PLC ± 2 PLC ± 3 PLC ± 4 PLC ± ANGLES ±		APPLICATION SPEC 114-5223	SMT TYPE WITH BOSS, EMBOSS TAPE PACKAGED	
MATERIAL	FINISH	WEIGHT	SIZE A3	CAGE CODE 00779
		CUSTOMER DRAWING	DRAWING NO C-292228	RESTRICTED TO -
			SCALE NTS	SHEET 4 OF 4
				REV C